

GENERAL DESCRIPTION

The ADXRS401EB is a simple evaluation board that allows the user to quickly evaluate the performance of the ADXRS401ABG yaw rate gyro. No additional external components are required for operation. The ADXRS401EB has a 20-lead dual in-line (0.3-inch width by 0.1-inch pin spacing) interface that allows the user to easily prototype products without having to deal with BGA soldering. The 0.4 square inch outline of the ADXRS401EB is still among the smallest gyros available today.

CIRCUIT DESCRIPTION

The schematic of the ADXRS401EB is shown in Figure 1. It is identical to the suggested application shown in the [ADXRS401ABG](#) data sheet.

The analog and power grounds (AGND and PGND) have separate ground planes and are joined at one point. The user may cut this trace if separate ground schemes are desired.

Note that the analog supply voltage and charge pump supply voltage (AVCC and PDD) are not connected on the ADXRS401EB and that users may connect these as appropriate to their application.

The parts layout of the ADXRS401EB is shown in Figure 2 and the parts list for the ADXRS401EB is shown in Table 1. As delivered, the ADXRS401EB is set to 20 Hz bandwidth ($C_{OUT} = 47$ nF). The user may add an external capacitor to further reduce the bandwidth and improve the noise floor.

SPECIAL NOTES ON HANDLING

Note that the ADXRS401EB is not reverse polarity protected. Reversing the power supply or applying inappropriate voltages to any pin (outside the Absolute Maximum Ratings in the [ADXRS401](#) data sheet) may damage the ADXRS401EB.

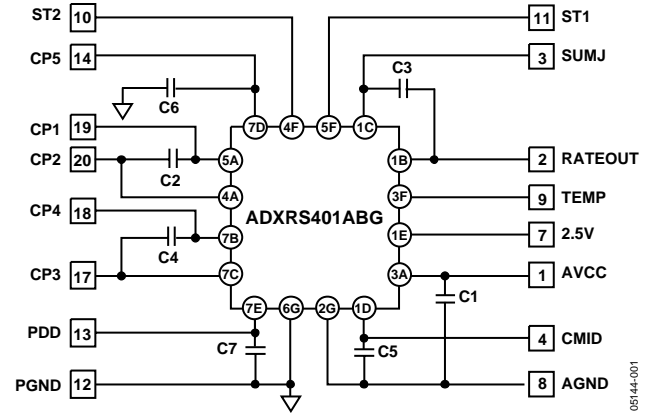


Figure 1. ADXRS401EB Schematic

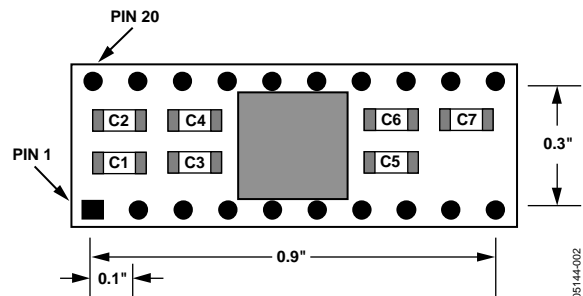


Figure 2. ADXRS401EB Parts Layout

Table 1. ADXRS401EB Parts List

Component	Value (nF)
C1	100
C2	47
C3	22
C4	22
C5	100
C6	47
C7	100

ORDERING GUIDE

Model	Package Description
ADXRS401EB	Evaluation Board

Rev. 0

Information furnished by Analog Devices is believed to be accurate and reliable. However, no responsibility is assumed by Analog Devices for its use, nor for any infringements of patents or other rights of third parties that may result from its use. Specifications subject to change without notice. No license is granted by implication or otherwise under any patent or patent rights of Analog Devices. Trademarks and registered trademarks are the property of their respective owners.

ADXRS401EB